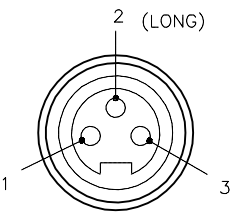
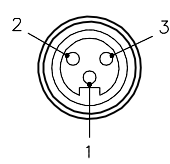
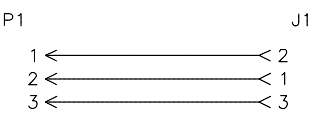


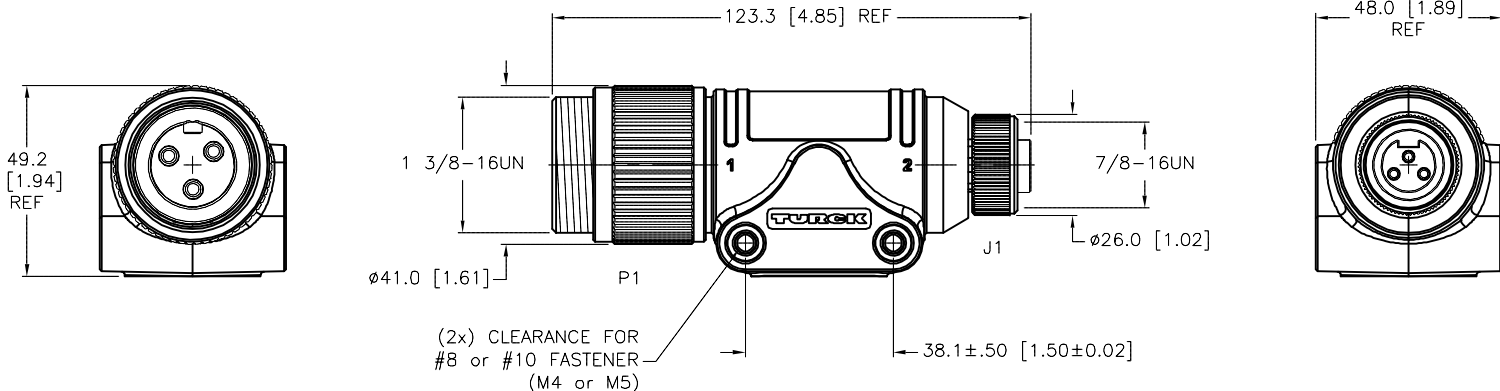
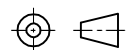



MALE END VIEW (P1)	FEMALE END VIEW (J1)	WIRING DIAGRAM	SPECIFICATIONS																	
			<table border="1"> <tr><td>CONTACT CARRIER MATERIAL</td><td>PVC</td></tr> <tr><td>MOLDED HEAD MATERIAL/COLOR</td><td>PVC/BLACK</td></tr> <tr><td>CONTACT MATERIAL/PLATING</td><td>BRASS or COPPER/GOLD</td></tr> <tr><td>COUPLING NUT MATERIAL/PLATING</td><td>BRASS/NICKEL</td></tr> <tr><td>RATED CURRENT [A]</td><td>21 A</td></tr> <tr><td>RATED VOLTAGE [V]</td><td>600 V</td></tr> <tr><td>TEMPERATURE RANGE</td><td>-40°C to +90°C (-40°F to +194°F)</td></tr> <tr><td>APPROVALS AND CERTIFICATIONS</td><td>UL 2237, UL 2238, CE</td></tr> </table>	CONTACT CARRIER MATERIAL	PVC	MOLDED HEAD MATERIAL/COLOR	PVC/BLACK	CONTACT MATERIAL/PLATING	BRASS or COPPER/GOLD	COUPLING NUT MATERIAL/PLATING	BRASS/NICKEL	RATED CURRENT [A]	21 A	RATED VOLTAGE [V]	600 V	TEMPERATURE RANGE	-40°C to +90°C (-40°F to +194°F)	APPROVALS AND CERTIFICATIONS	UL 2237, UL 2238, CE	
CONTACT CARRIER MATERIAL	PVC																			
MOLDED HEAD MATERIAL/COLOR	PVC/BLACK																			
CONTACT MATERIAL/PLATING	BRASS or COPPER/GOLD																			
COUPLING NUT MATERIAL/PLATING	BRASS/NICKEL																			
RATED CURRENT [A]	21 A																			
RATED VOLTAGE [V]	600 V																			
TEMPERATURE RANGE	-40°C to +90°C (-40°F to +194°F)																			
APPROVALS AND CERTIFICATIONS	UL 2237, UL 2238, CE																			
																				



SOURCE DRAWING - FOR REFERENCE ONLY

CAUTION:
RISK OF ELECTRICAL SHOCK
DO NOT DISCONNECT UNDER LOAD

RELATED DOCUMENTS 1. 2. 3. 4.	3RD ANGLE PROJECTION 	THIS DRAWING IS CONFIDENTIAL AND THE PROPERTY OF TURCK INC. USE OF THIS DOCUMENT WITHOUT WRITTEN PERMISSION IS PROHIBITED.	<div style="text-align: right;"> <p>3000 CAMPUS DRIVE MINNEAPOLIS, MN 55441 1-800-544-7769 (763) 553-7300 (763) 553-0708 fax www.turck.us</p> </div> <div style="text-align: center;">  </div>
MATERIAL SEE SPECIFICATIONS	ALL DIMENSIONS DISPLAYED ON THIS DRAWING ARE FOR REFERENCE ONLY	DRFT RWC DATE 07/17/09 APVD SCALE 1=2.0	DESCRIPTION GSDM RKM 34-0
FINISH SEE SPECIFICATIONS	CONTACT TURCK FOR MORE INFORMATION	UNIT OF MEASUREMENT MILLIMETER [INCH] DO NOT SCALE THIS DRAWING	IDENTIFICATION NO. U2-14805 REV F FILE: U2-14805 SHEET 1 OF 1

F	UPDATE RATED CURRENT	NF	04/24/19	69359
REV	DESCRIPTION	BY	DATE	ECO NO.